

SMW Ku-band LNA



Low Noise Temperature

All models cover the whole Ku-band 10.7-12.75 GHz and the noise temperature is as low as 59K. The very high reliability allows two-year warranty.

The LNAs are individually hand tuned to get the very best performance available for each unit. Quality and long term reliability is also essential. Therefore are all LNAs tested according to a very extensive test program, which includes heating, cooling, water-proof testing and rigorous electrical testing.

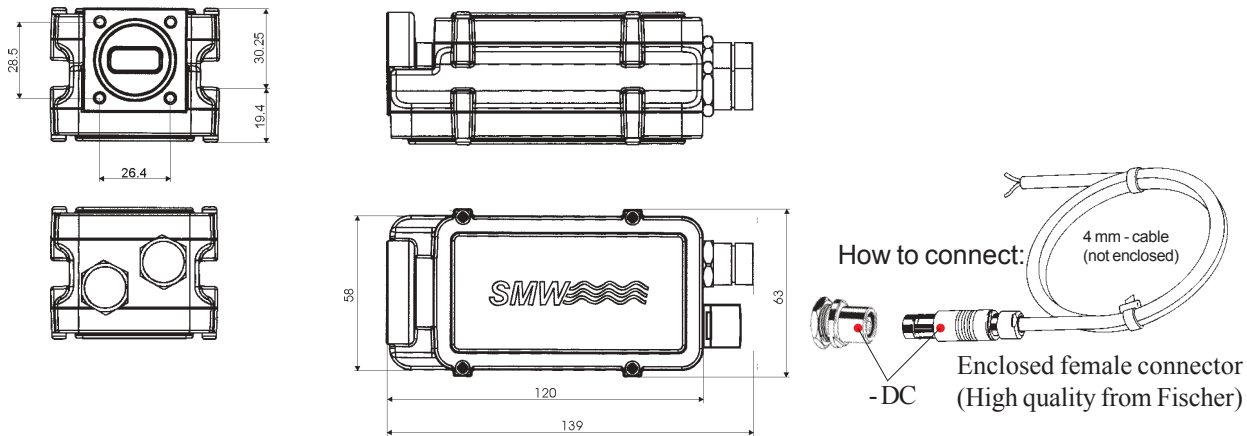
Swedish Microwave was founded 1986 and, within Europe, is the oldest manufacturer of LNAs. In the standard product range we have DRO-LNBs, PLL-LNBs, LNAs, Block Downconverters (BDC), Up- & Down Converters, Quattro LNAs, Twin LNAs, Ortho mode transducers (OMT), Line Amplifiers and Feed horns.

Swedish Microwave is today one of the leading manufacturers of microwave components needed for satellite receiving equipment and other industrial products.

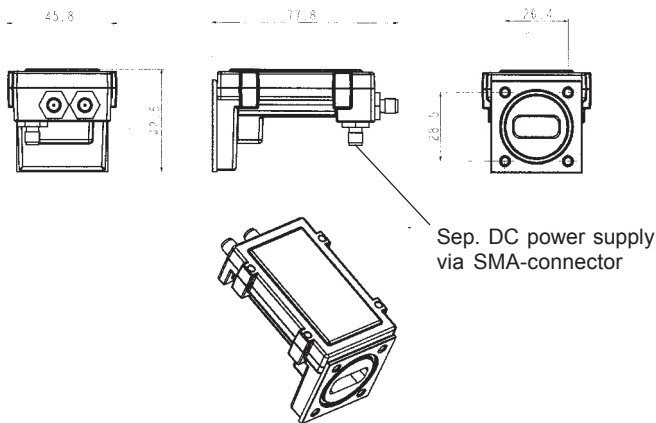
Specification SMW Ku-band LNA

SMW	LNA 43 dB N	LNA 30 dB SMA	LNA 24 dB Dual SMA
Frequency range	10.7 - 12.75 GHz	10.7 - 12.75 GHz	10.7 - 12.75 GHz
Gain min.	43 dB	30 dB	24 dB
Gain variation max.	+/- 3 dB +/- 0.3 dB within 30 MHz	+/- 3 dB +/- 0.3 dB within 30 MHz	+/- 3 dB +/- 0.3 dB within 30 MHz
Noise temp. typical	59K (0.8 dB)	59K (0.8 dB)	59K (0.8 dB)
1 dB gain compression point	0 dBm	0 dBm	-8 dBm
3rd order intermodulation	+10 dBm	+10 dBm	+2 dBm
Input	Waveguide R120 (WR-75)	Waveguide R120 (WR-75)	Waveguide R120 (WR-75)
Output (waterproof)	N-connector Option (with adapter)	SMA-connector SMA-connector	SMA-connectors
DC power via separate connector	12-24V / 40 mA typ	12-24V / 40 mA typ	12-24V / 40 mA typ
Operating temperature	-30 to +60°C	-30 to +60°C	-30 to +60°C
Dimensions	139 x 58 x 50 mm	81 x 40x 40 mm	81 x 40x 40 mm
Weight	626 g	124 g	124 g

LNA 43 dB



LNA 30 & LNA 24 dB



SMW
SWEDISH MICROWAVE AB

Box 230
591 23 MOTALA, SWEDEN
Tel. +46 141 21 61 35
Fax. +46 141 21 52 24
e-mail: info@smw.se
Website: <http://www.smw.se>