

## ***SMW OMT 30***



### ***Ortho Mode Transducer***

OMT 30 receives two polarizations with high cross polarization (isolation) and minimal transmission loss.

In the extensive test program we test and tune each unit for the best isolation, minimal transmission loss and the best matching against the most common feedhorns and LNBS on the market.

Swedish Microwave was founded 1986 and, within Europe, is the oldest manufacturer of LNBS. In the standard product range we have DRO-LNBS, PLL-LNBS, LNAs, Block Downconverters (BDC), Up- & Down Converters, Quattro LNBS, Twin LNBS, Ortho mode transducers (OMT), Line Amplifiers and Feed horns.

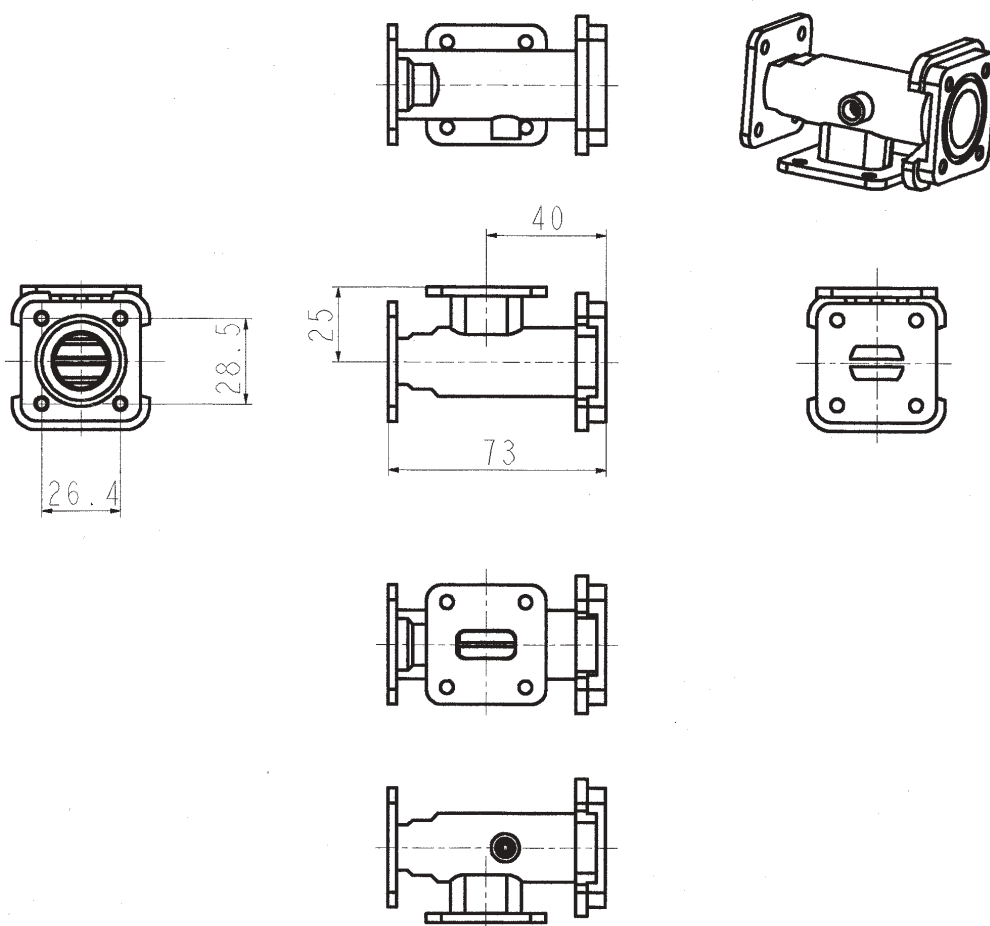
Swedish Microwave is today one of the leading manufacturers of microwave components needed for satellite receiving equipment and other industrial products.

# Specification SMW OMT 30

## SMW

## OMT 30

Frequency range	10.7 - 12.75 (V+H) & 14.0 - 14.5 GHz (V+H)
SWR	1.5:1max
Transmission loss	0.1 dB
Isolation (Cross polarization)	31.5 dB min
Input	Circular waveguide 18 mm
Output	WR75 waveguides
Material	Zinc
Weight	200 g
Accessories	Bend for the vertical polarization (both LNBS point straight down) Adapter C120/C120 (if the hole pattern doesn't match the feedhorn) Depolarizer to receive RHC and LHC simultaneously



Box 230  
591 23 MOTALA, SWEDEN  
Tel. +46 141 21 61 35  
Fax. +46 141 21 52 24  
e-mail: [info@smw.se](mailto:info@smw.se)  
Website: <http://www.smw.se>